



SCHEDULE OF JOINERY:

TYPE	DETAIL	WIDTH	HEIGHT
M.D	C.W. PANELLED DOOR	990	2135
D	-DO-	915	2135
D1	-DO-	762	2135
W	C.W. GLAZED WINDOW	1830	1372
W1	-DO-	1220	1372
O	OPENING	915	2135
V	C.W. GLAZED VENTILATOR	610	915

SPECIFICATION:

- FOUNDATION : R.C.C COLUMN FOOTINGS
- BRICK WORK : C.M 1:6 FOR SUPER STRUCTURE
- PLASTERING : C.M 1:5 FOR WALLS & 1:3 FOR CEILING
- FLOORING : MOSAIC FLOORING
- CEMENT, PAINT : 2 COAT FOR WALLS & 1 EXTRA COAT FOR CEILING
- R.C.C : 1:2:4 FOR SLABS & UNTELS
- WOOD WORK : ALL WOOD WORKS IN BEST QUALITY TIMBER
- WEATHERING : B.JELLY LIME MORTAR OVER ROOF SLAB ONE LAYER OF COUNTRY TILES

COLOUR INDEX:

- PROPOSAL
- ROAD/STREET
- BOUNDARY/SITE

AREA STATEMENT SQ. M

PLOT EXTENT	555.85
STILT FLOOR	15.33 (Non F.S.I 2.42m ²)
FIRST FLOOR	203.26
SECOND FLOOR PART	203.26
THIRD FLOOR	203.26
FOURTH FLOOR	203.26
TOTAL BUILDUP AREA	828.37m ²
PLOT COVERAGE:	36.7%
F.S.I	1.491

PROPOSED RESIDENTIAL FLATS AT
 PLOT NO:14, OLD DOOR NO:8
 NEW DOOR NO:18, NEW GIRI STREET
 S.NO: 4804/1, PT. OLD S.NO: 62,
 OLD T.S.NO: 610 & 611, NEW T.S.NO:
 8392, BLOCK NO:109,
 T.NAGAR VILLAGE, MAMBALAM
 ZONE VIII DIV -

SCALE	DATE:
[1:100]	DRAWN:

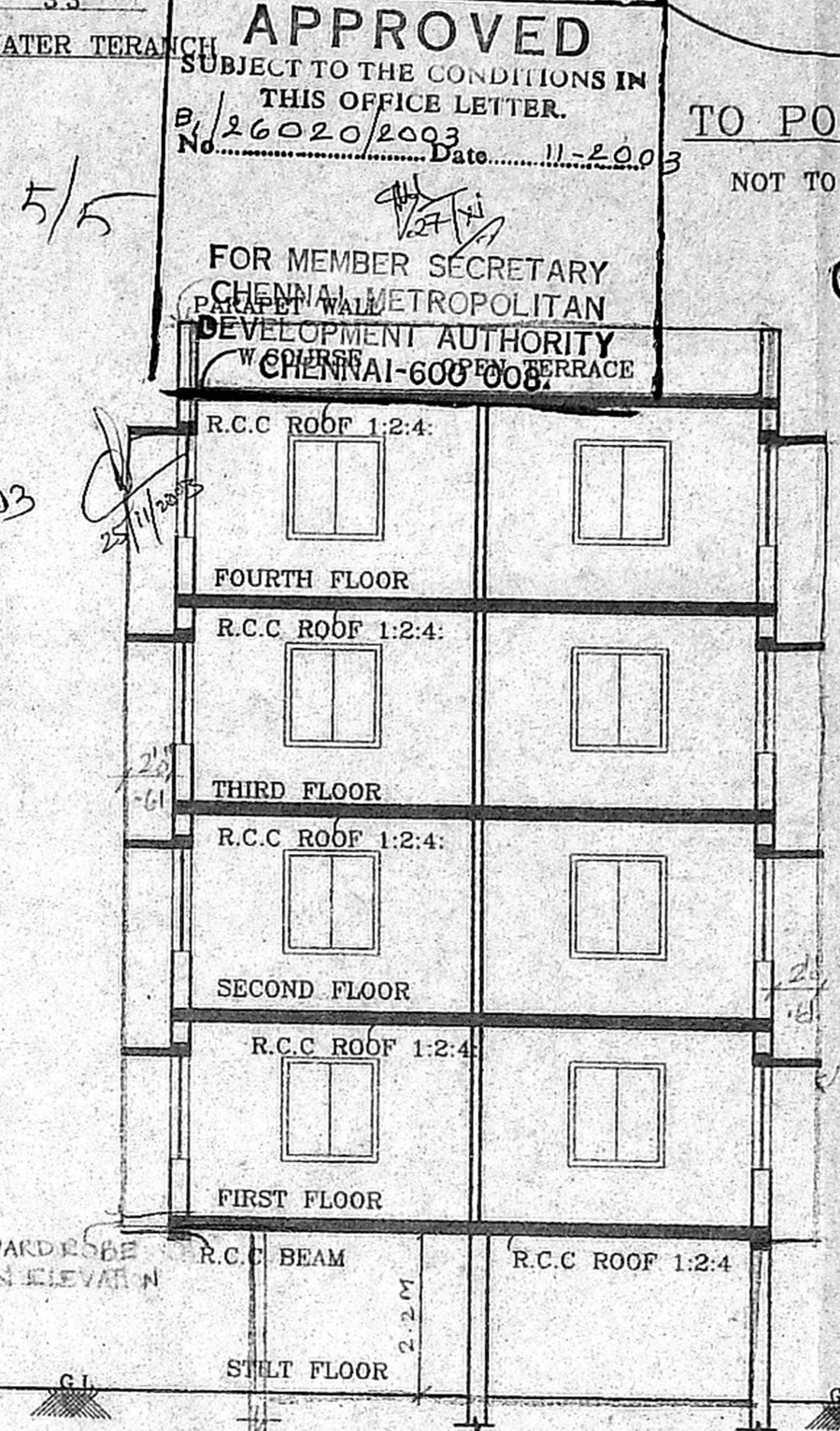
SIGNATURE OF OWNER

ER. S. RAMESH. M.E.,
 Licensed Engineer & Surveyor Class No. 1215
 A-14, D.R. Flats, 30, Dr. B.N. Road
 T.Nagar, Chennai - 600 017,
 LICENSED SURVEYOR

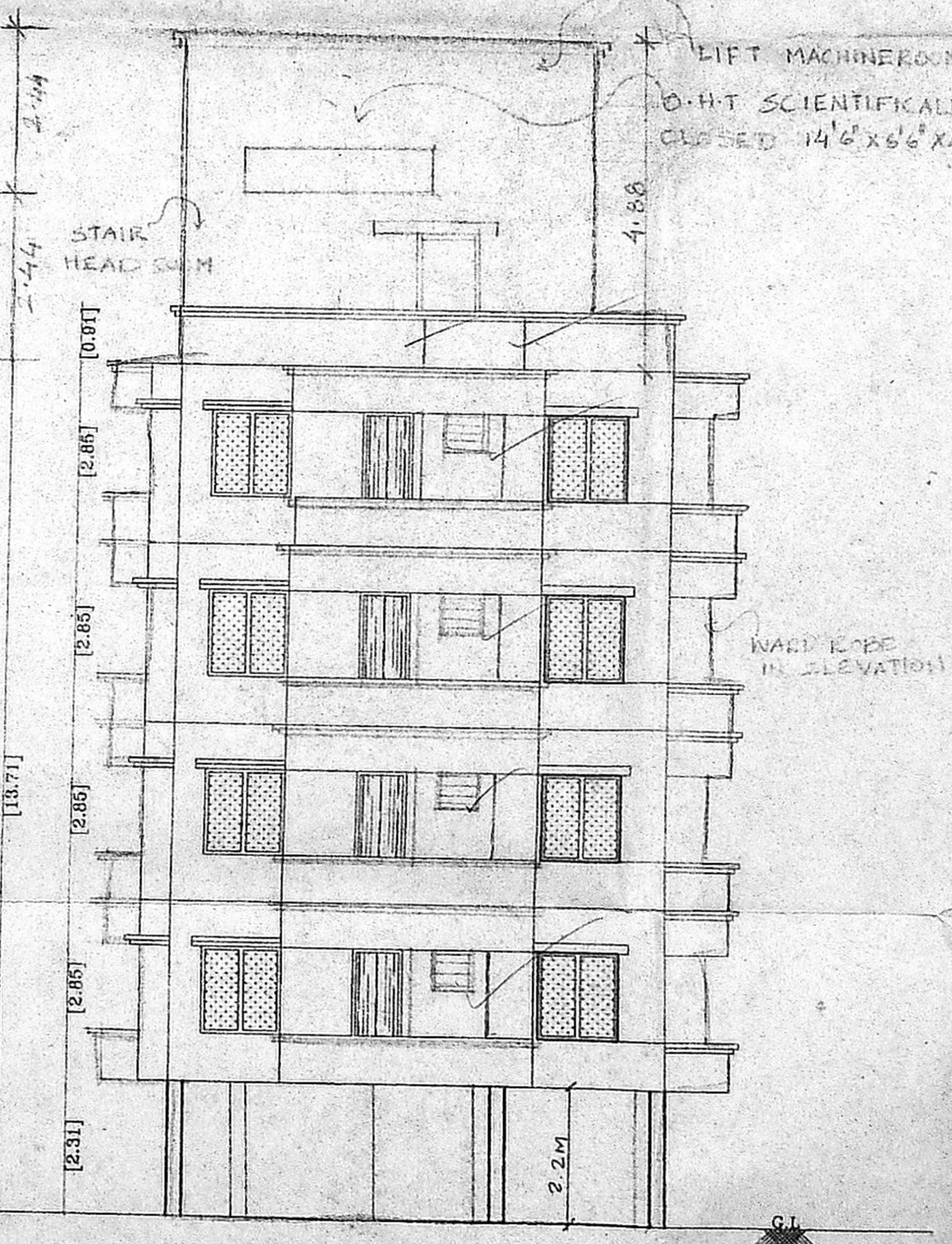
CMDA (B)/No. 1
 C.No. 21/26020/2003
 Asst. Scrutiny P.A. 21/11/03

APPROVED
 SUBJECT TO THE CONDITIONS IN THIS OFFICE LETTER.
 No. 26020/2003 Date: 11-20-03
 FOR MEMBER SECRETARY
 CHENNAI METROPOLITAN
 DEVELOPMENT AUTHORITY
 CHENNAI-600 008

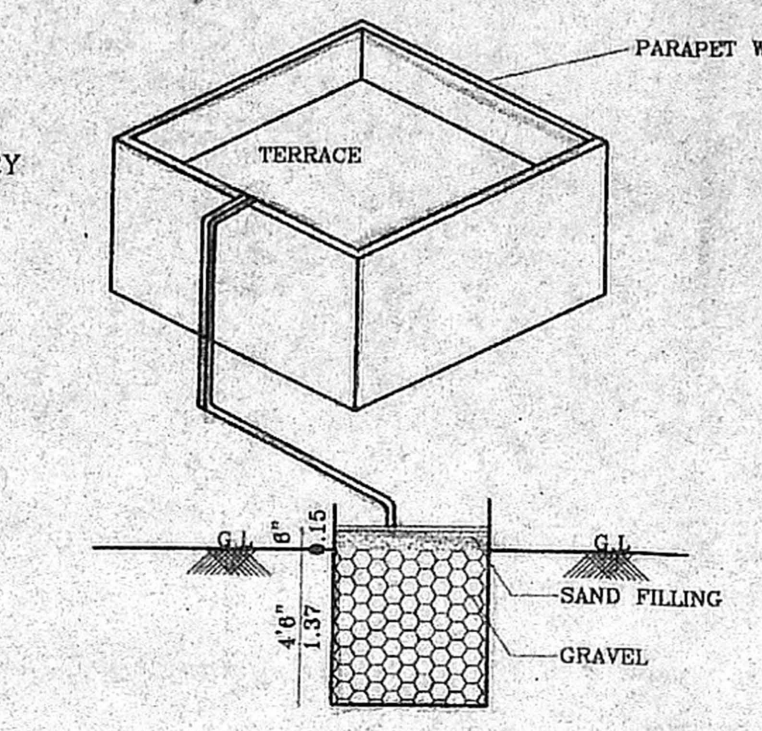
TO PO PLAN
 NOT TO SCALE
 OFFICE COPY



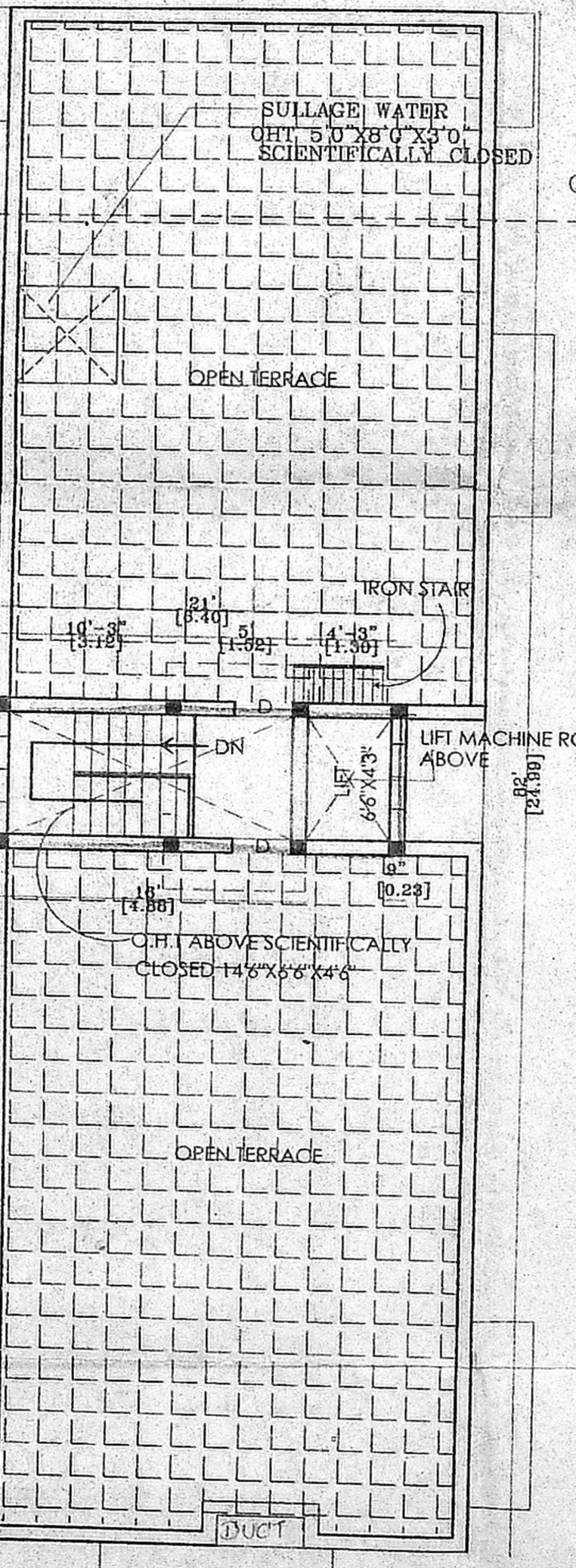
SECTION ON 'AB'



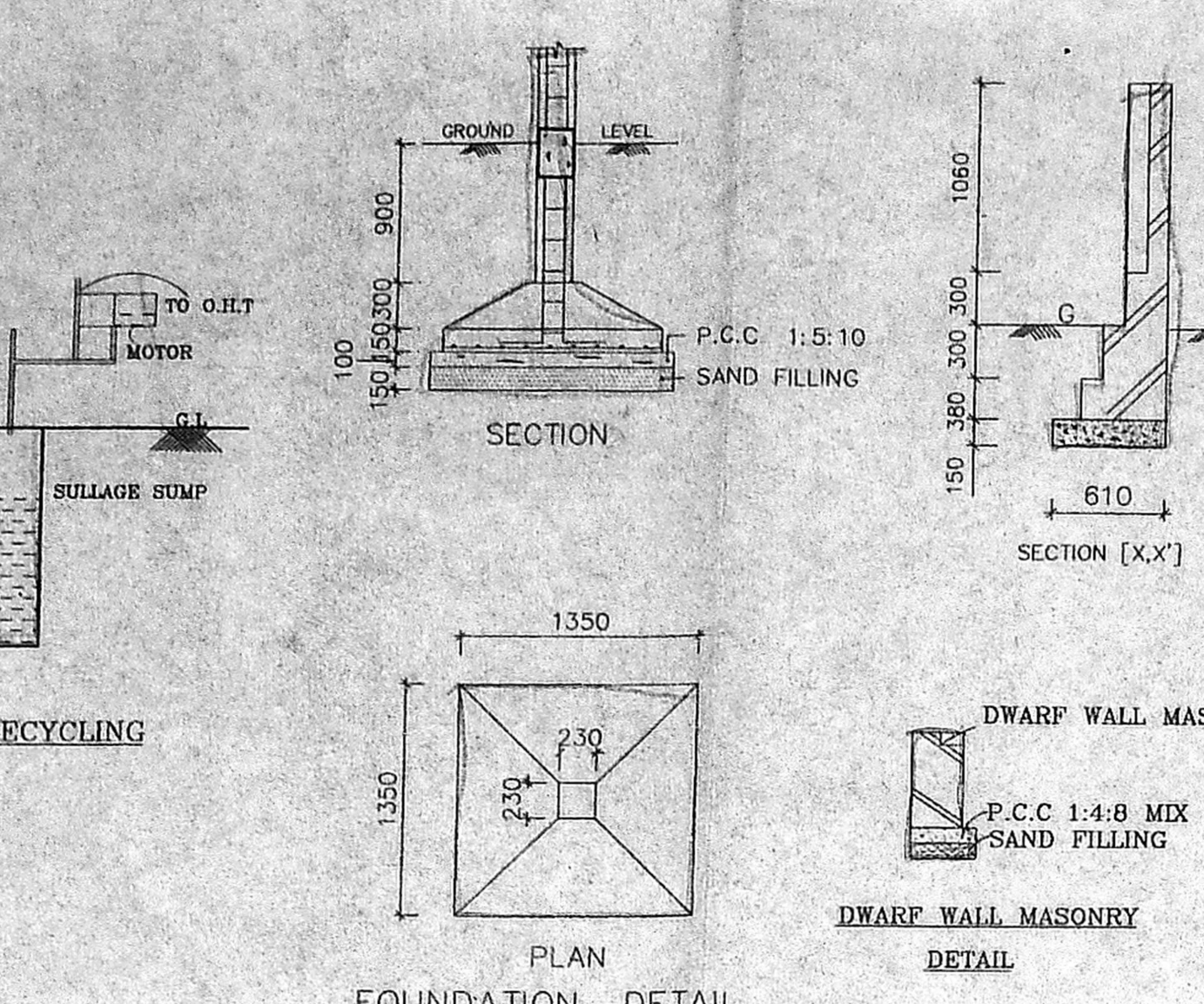
FRONT ELEVATION



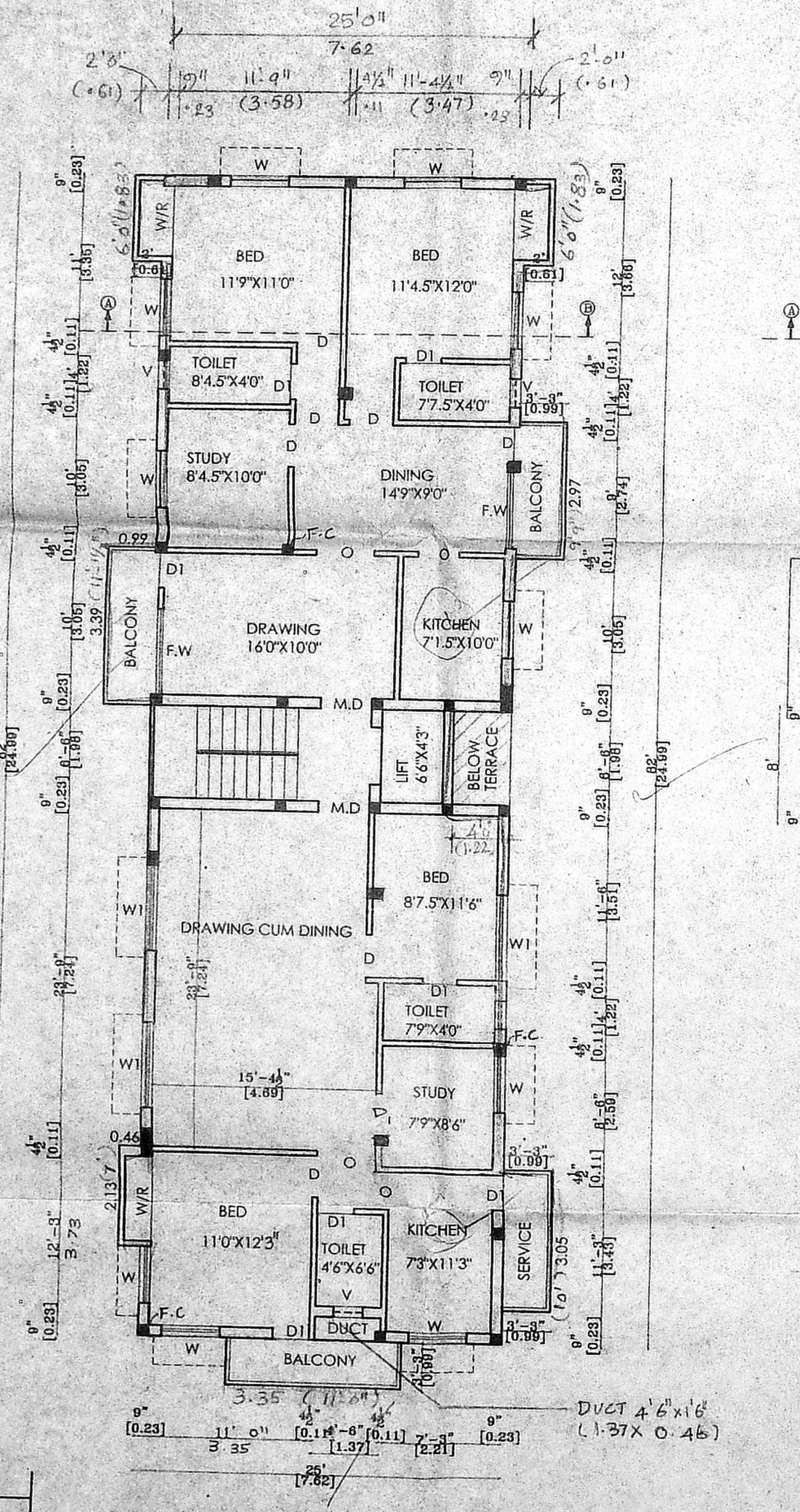
DETAILS OF GATE & COMPOUND WALL



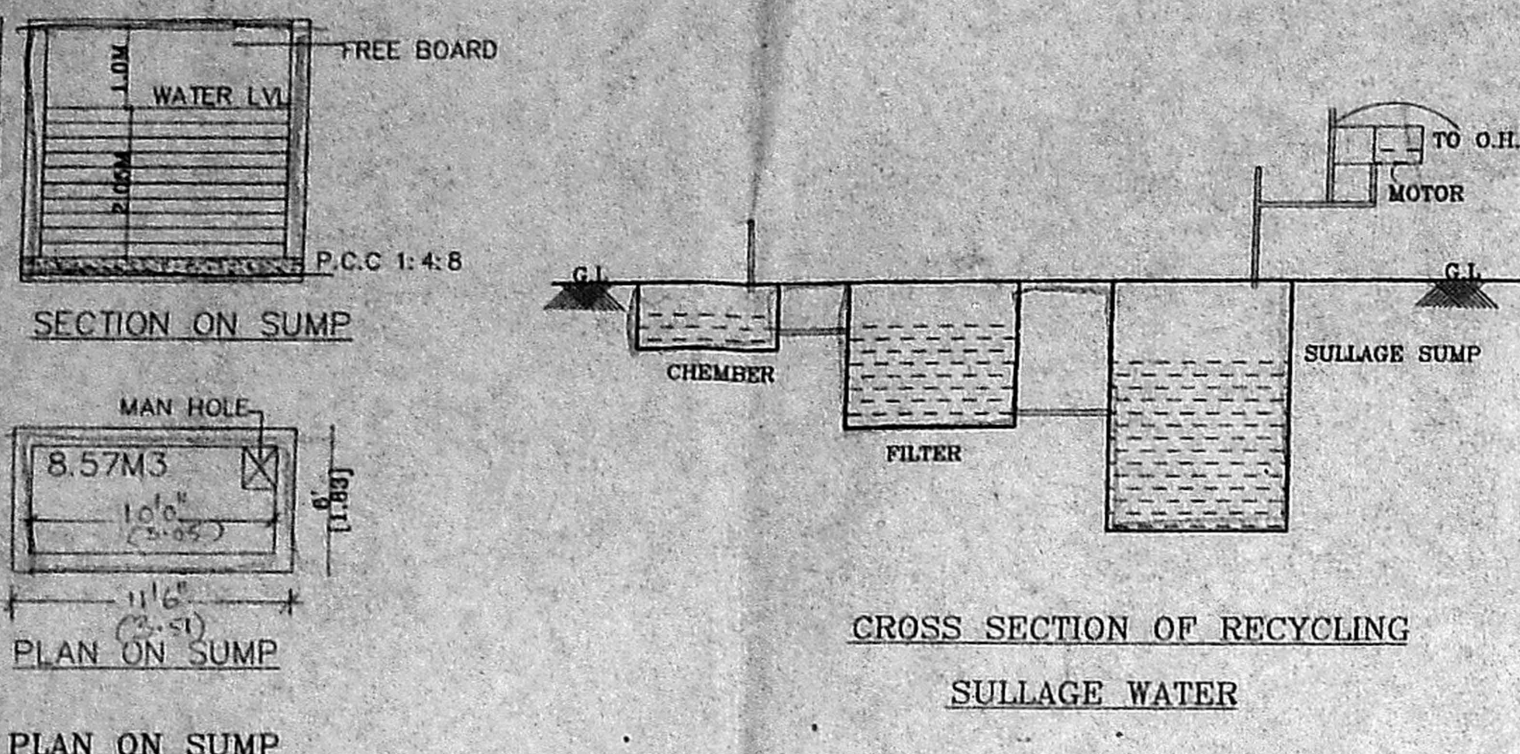
TERRACE FLOOR PLAN



PLAN FOUNDATION DETAIL [SCALE: 1:50]



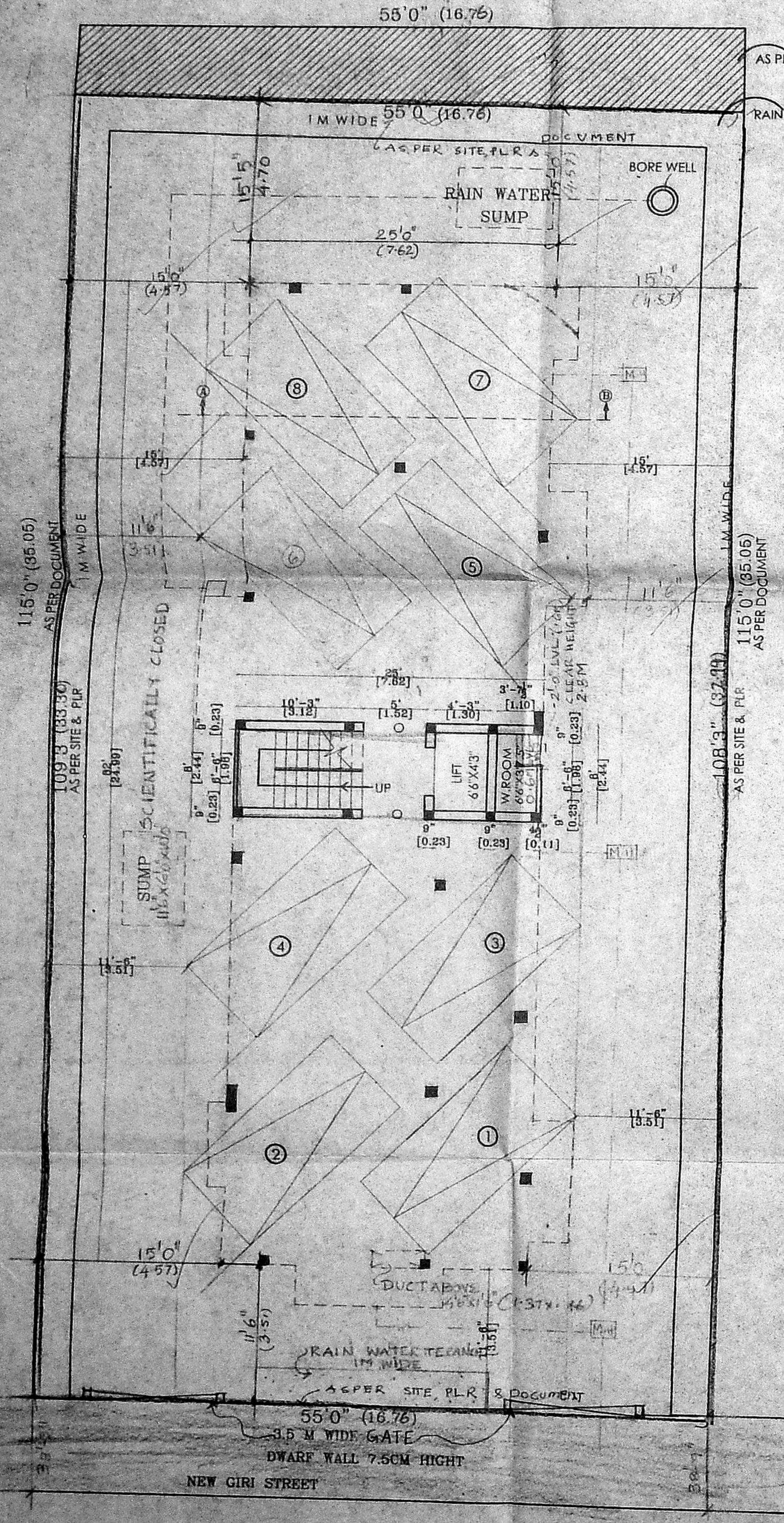
TYPICAL FLOOR PLAN
FIRST, SECOND, THIRD, FOURTH FLOORS



SECTION ON SUMP

PLAN ON SUMP

CROSS SECTION OF RECYCLING SULLAGE WATER



SITE CUM STILT FLOOR PLAN